



BRINGS LIGHT TO YOUR LIFE

ELUX TUBO

TUBO 900

OUTER DIMENTION

Ø 900 MM

CABIN DIMENTION

Ø 650 x 2100 MM

DOOR DIMENTION

500 x 2.100 MM

PIT

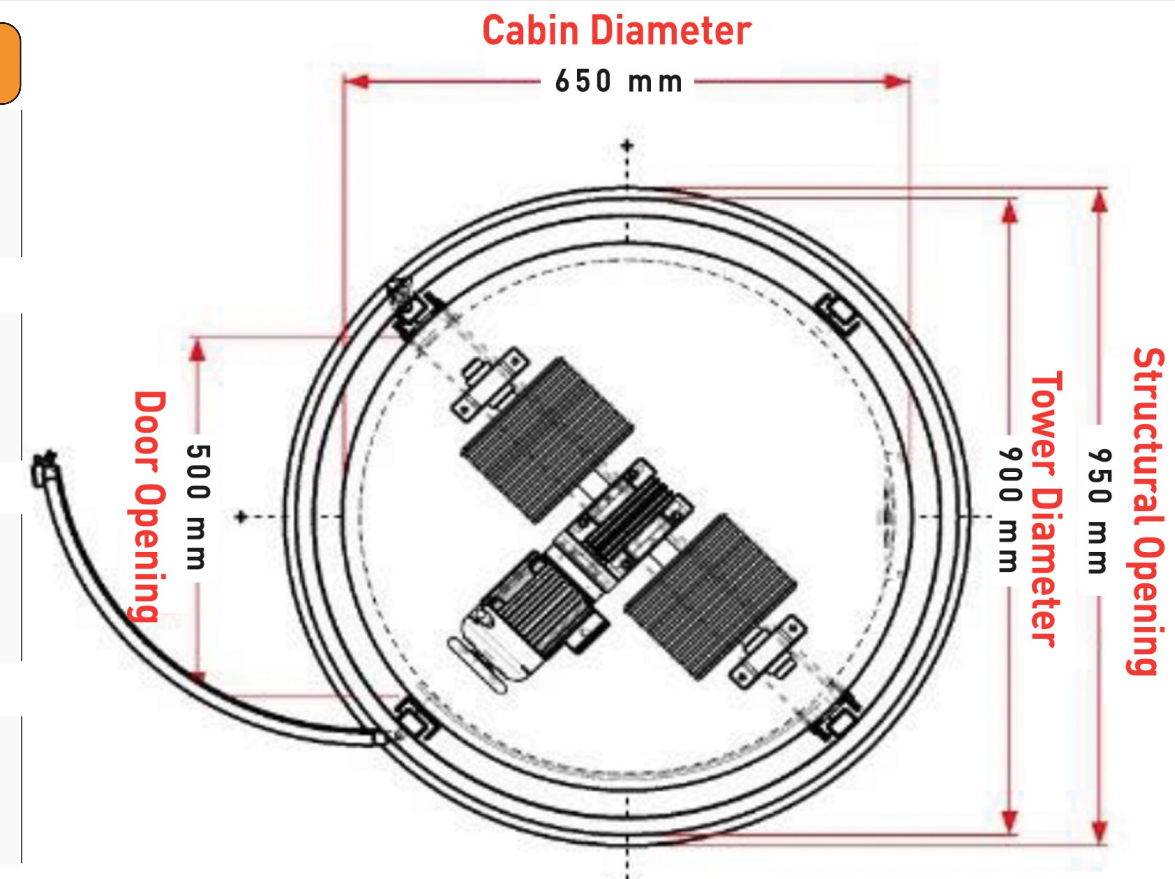
100 MM

OVERHEAD

2.900 MM

Elux Tubo is specially designed for the smallest areas where conventional elevators cannot be applied by shaftless structure. We offer a cabin space that one person can easily fit with its 90 cm outer space and 65 cm diameter.

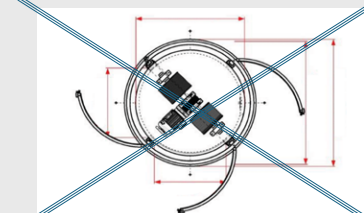
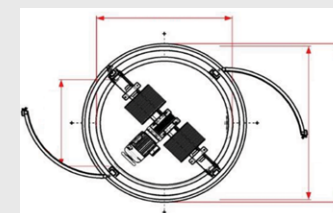
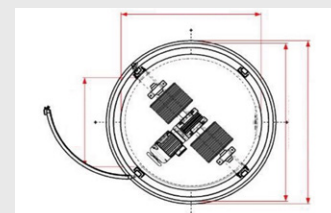
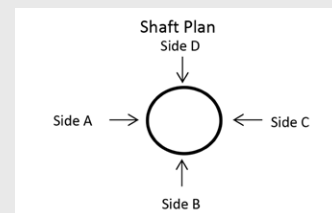
SINGLE ENTRY	TUBO 900
Structural Opening	950 MM
Tower Diameter	900 MM
Cabin Diameter (Ø)	650x2100 MM
Door Opening	500x2100 MM
OPPOSING ENTRY	
Structural Opening	950 MM
Tower Diameter	900 MM
Cabin Diameter (Ø)	650x2100 MM
Door Opening	500x2100 MM
DIAGONAL ENTRY	
Structural Opening	
Tower Diameter	
Cabin Diameter (Ø)	NOT APPLICABLE
Door Opening	
GENERAL DIMENSION	
Load Capacity	80 KG
Headroom	2900 MM
Pit Height	100 MM



80
KG
Capacity

900^Ø
mm
Outer
Dimention

650^Ø
mm
Cabin Space



ELUX TUBO

TUBO 1100

OUTER DIMENTION

Ø 1100 MM

CABIN DIMENTION

Ø 850 x 2100 MM

DOOR DIMENTION

500 x 2.100 MM

PIT

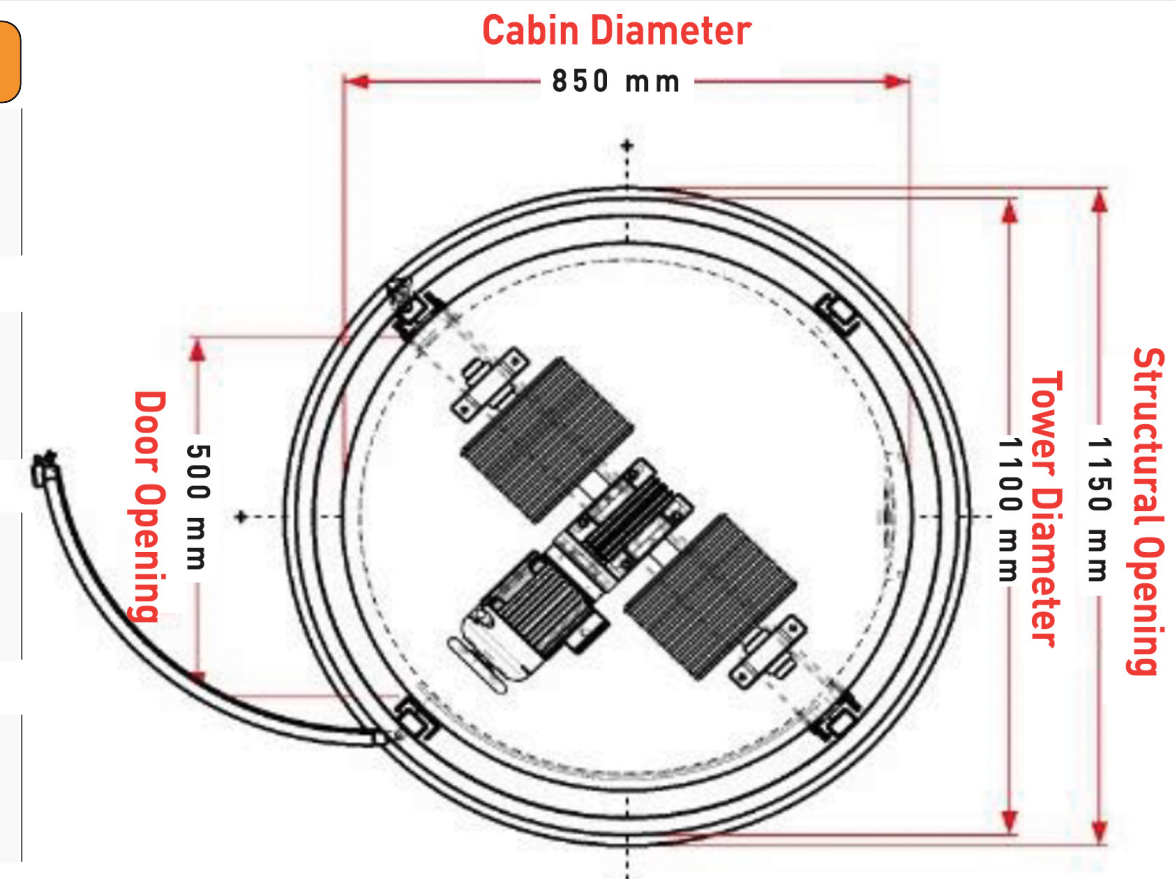
100 MM

OVERHEAD

2.900 MM

It is the favorite of those who are looking for a home elevator with a small space but a large interior. Two people can use it comfortably with its 85 cm wide cabin area. You can carry your daily belongings at home with a minimum carrying capacity of 160 Kg.

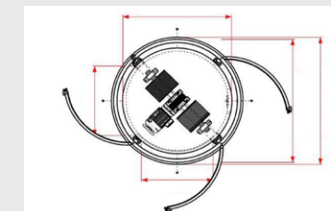
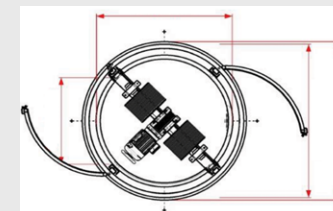
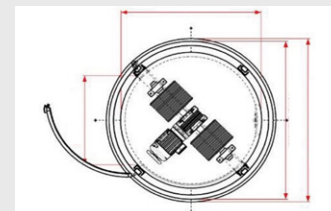
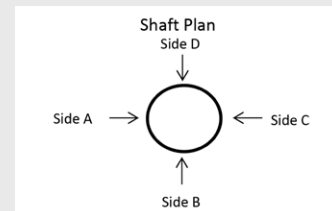
SINGLE ENTRY	TUBO 1100
Structural Opening	1150 MM
Tower Diameter	1100 MM
Cabin Diameter (Ø)	850x2100 MM
Door Opening	500x2100 MM
OPPOSING ENTRY	
Structural Opening	1150 MM
Tower Diameter	1100 MM
Cabin Diameter (Ø)	850x2100 MM
Door Opening	500x2100 MM
DIAGONAL ENTRY	
Structural Opening	1100 MM
Tower Diameter	1100 MM
Cabin Diameter (Ø)	850x2100 MM
Door Opening	500x2100 MM
GENERAL DIMENSION	
Load Capacity	160 KG
Headroom	2900 MM
Pit Height	100 MM



160
KG
Capacity

1100^Ø
mm
Outer
Dimention

850^Ø
mm
Cabin Space



TUBO 1300

OUTER DIMENTION

Ø 1300 MM

CABIN DIMENTION

Ø 1050 x 2100 MM

DOOR DIMENTION

650 x 2.100 MM

PIT

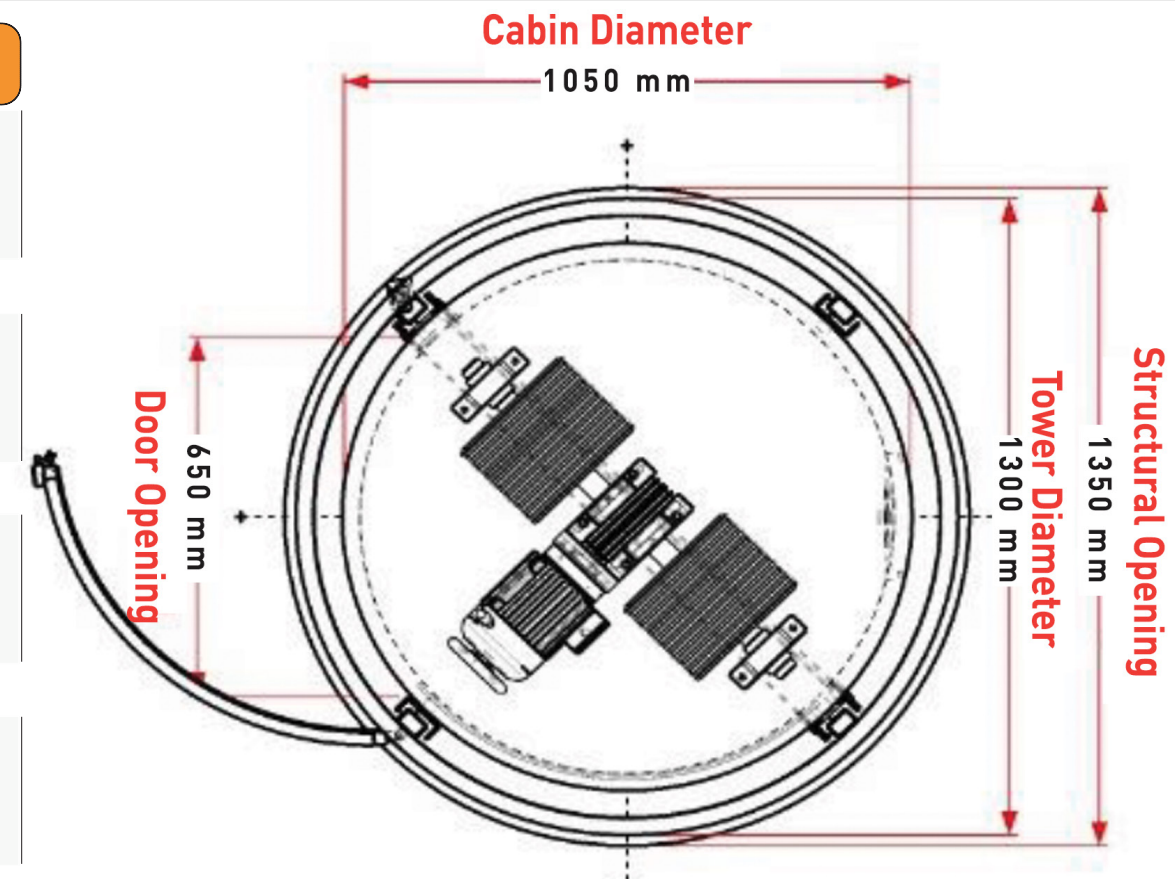
100 MM

OVERHEAD

2.900 MM

High performance in narrow space. Three people can comfortably use it with its 105 cm wide cabin area. It will be your biggest helper at home with a minimum carrying capacity of 250 Kg.

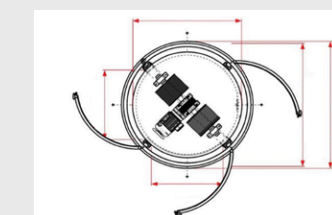
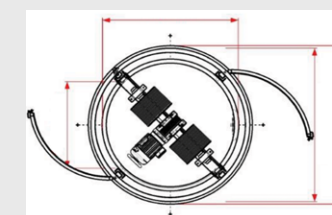
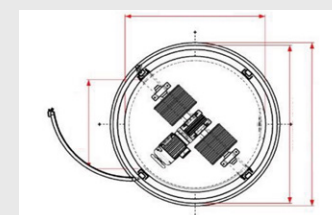
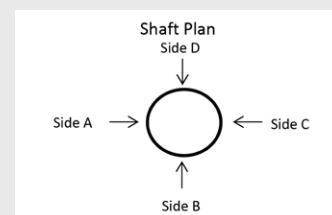
SINGLE ENTRY	TUBO 1300
Structural Opening	1350 MM
Tower Diameter	1300 MM
Cabin Diameter (Ø)	1050x2100 MM
Door Opening	650x2100 MM
OPPOSING ENTRY	
Structural Opening	1350 MM
Tower Diameter	1300 MM
Cabin Diameter (Ø)	1050x2100 MM
Door Opening	650x2100 MM
DIAGONAL ENTRY	
Structural Opening	1350 MM
Tower Diameter	1300 MM
Cabin Diameter (Ø)	1050x2100 MM
Door Opening	650x2100 MM
GENERAL DIMENSION	
Load Capacity	250 KG
Headroom	2900 MM
Pit Height	100 MM



250
KG
Kapasite

1300^Ø
mm
Outer
Dimention

1050^Ø
mm
Cabin Space



ELUX TUBO

TUBO 1500

OUTER DIMENTION

Ø 1500 MM

CABIN DIMENTION

Ø 1250 x 2100 MM

DOOR DIMENTION

800 x 2.100 MM

PIT

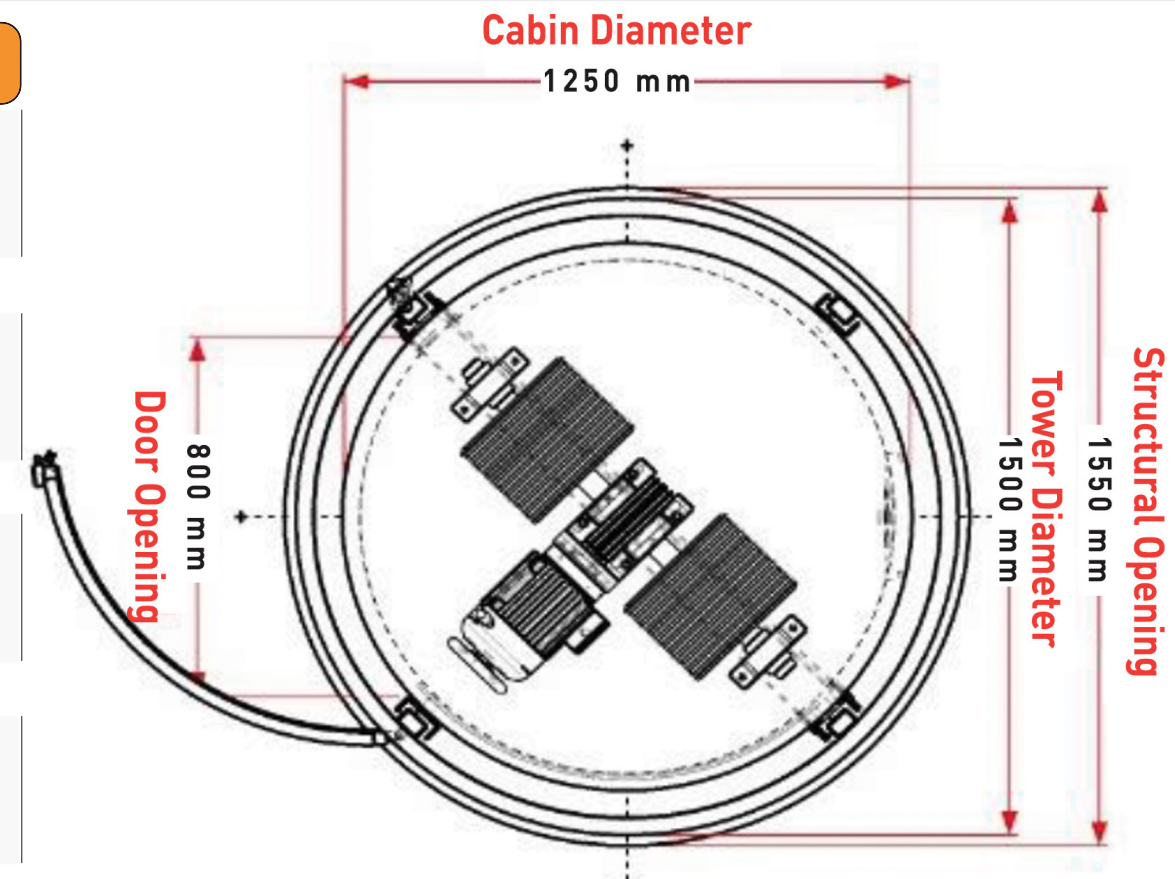
100 MM

OVERHEAD

2.900 MM

Do you spend your days walking up and down stairs with kids and your hands are full of shopping bags? With a capacity of 325 kg, Tubelift 1300 what you are looking for, with a large and spacious 125 cm cabin area that you can use with your whole family!

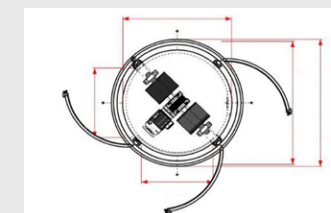
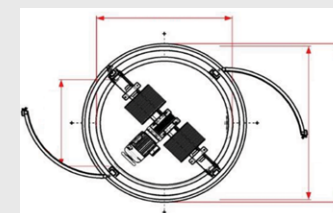
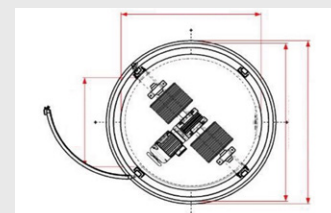
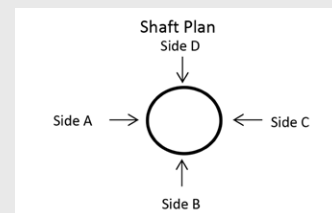
SINGLE ENTRY	TUBO 1500
Structural Opening	1550 MM
Tower Diameter	1500 MM
Cabin Diameter (Ø)	1250x2100 MM
Door Opening	800x2100 MM
OPPOSING ENTRY	
Structural Opening	1550 MM
Tower Diameter	1500 MM
Cabin Diameter (Ø)	1250x2100 MM
Door Opening	800x2100 MM
DIAGONAL ENTRY	
Structural Opening	1550 MM
Tower Diameter	1500 MM
Cabin Diameter (Ø)	1250x2100 MM
Door Opening	800x2100 MM
GENERAL DIMENSION	
Load Capacity	325 KG
Headroom	2900 MM
Pit Height	100 MM



325
KG
Kapasite

1500^Ø
mm
Outer
Dimention

1250^Ø
mm
Cabin Space



ELUX TUBO

TUBO 1700

OUTER DIMENTION

Ø 1700 MM

CABIN DIMENTION

Ø 1450 x 2100 MM

DOOR DIMENTION

950 x 2.100 MM

PIT

100 MM

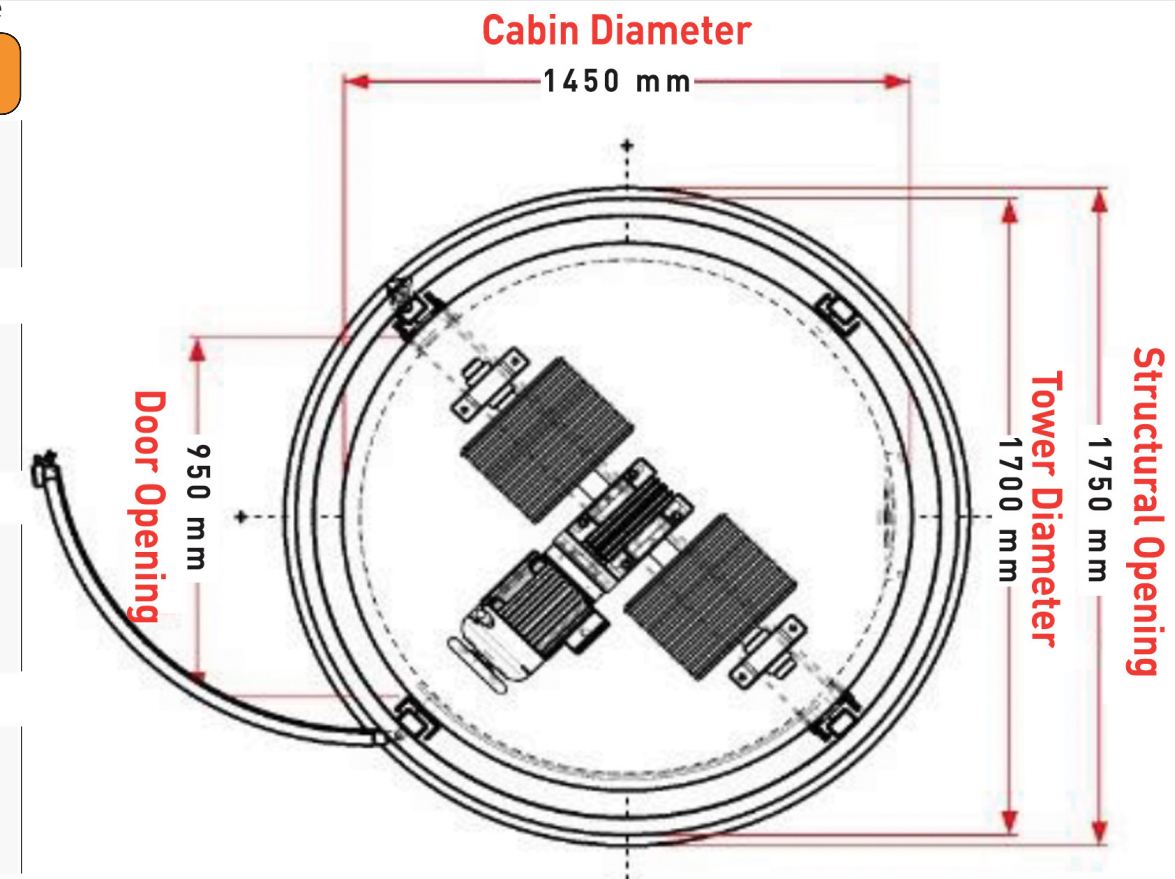
OVERHEAD

2.900 MM

We have many home elevators designed in different dimensions for different needs, comfort and space requirements. All offers you well thought-out ergonomics. Equipped with our Smart Security systems for your peace of mind at all times

For Wheelchair Use

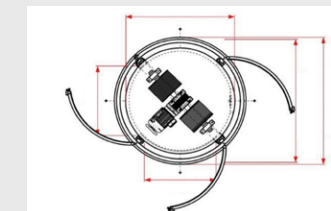
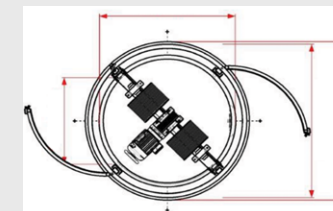
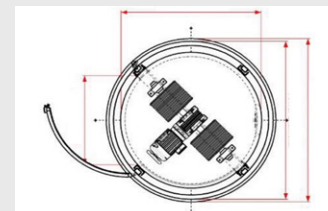
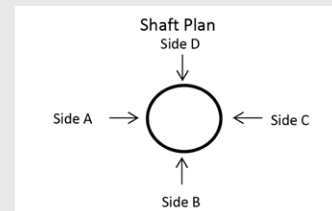
SINGLE ENTRY	TUBO 1700
Structural Opening	1750 MM
Tower Diameter	1700 MM
Cabin Diameter (Ø)	1450x2100 MM
Door Opening	950x2100 MM
OPPOSING ENTRY	
Structural Opening	1750 MM
Tower Diameter	1700 MM
Cabin Diameter (Ø)	1450x2100 MM
Door Opening	950x2100 MM
DIAGONAL ENTRY	
Structural Opening	1750 MM
Tower Diameter	1700 MM
Cabin Diameter (Ø)	1450x2100 MM
Door Opening	950x2100 MM
GENERAL DIMENSION	
Load Capacity	400 KG
Headroom	2900 MM
Pit Height	100 MM



15
Cm/Sn
Hz

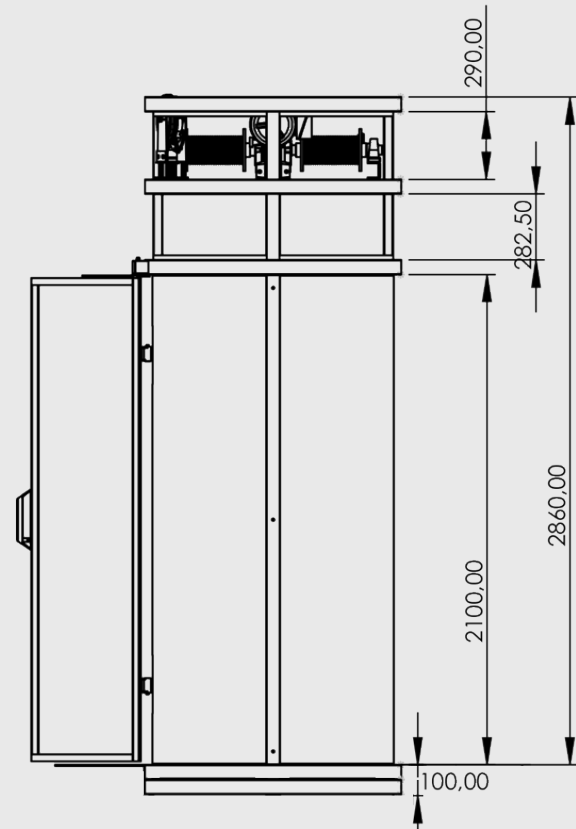
1700^Ø
mm
Outer
Dimention

1450^Ø
mm
Cabin Space

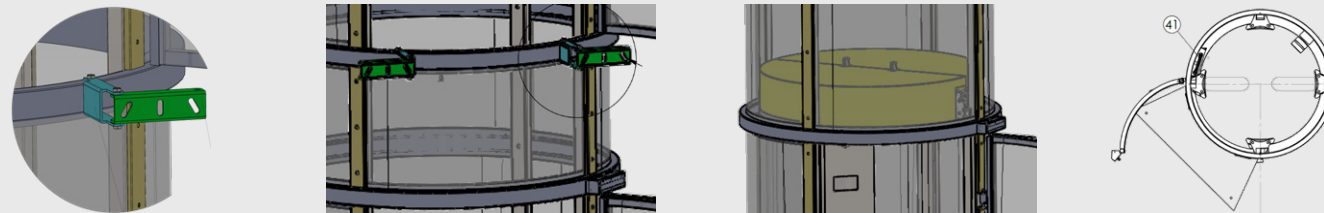


ELUX TUBO

TECHNICAL DIMENSIONS



SINGLE ENTRY	For Seat Use				For Wheelchair Use
	TUBO 900	TUBO 1100	TUBO 1300	TUBO 1500	
Structural Opening	950 MM	1150 MM	1350 MM	1550 MM	TUBO 1700 1750 MM 1700 MM 1450x2100 MM 950x2100 MM
Tower Diameter	900 MM	1100 MM	1300 MM	1500 MM	
Cabin Diameter (Ø)	650x2100 MM	850x2100 MM	1050x2100 MM	1250x2100 MM	
Door Opening	500x2100 MM	500x2100 MM	650x2100 MM	800x2100 MM	
OPPOSING ENTRY					
Structural Opening	950 MM	1150 MM	1350 MM	1550 MM	TUBO 1700 1750 MM 1700 MM 1450x2100 MM 950x2100 MM
Tower Diameter	900 MM	1100 MM	1300 MM	1500 MM	
Cabin Diameter (Ø)	650x2100 MM	850x2100 MM	1050x2100 MM	1250x2100 MM	
Door Opening	500x2100 MM	500x2100 MM	650x2100 MM	800x2100 MM	
DIAGONAL ENTRY					
Structural Opening			1350 MM	1550 MM	TUBO 1700 1750 MM 1700 MM 1450x2100 MM 950x2100 MM
Tower Diameter	NOT APPLICABLE	1100 MM	1300 MM	1500 MM	
Cabin Diameter (Ø)		850x2100 MM	1050x2100 MM	1250x2100 MM	
Door Opening		500x2100 MM	650x2100 MM	800x2100 MM	
GENERAL DIMENSION					
Load Capacity	80 KG	160 KG	250 KG	325 KG	TUBO 1700 400 KG 2900 MM 100 MM
Headroom	2900 MM	2900 MM	2900 MM	2900 MM	
Pit Height	100 MM	100 MM	100 MM	100 MM	



ELUX TUBO

CABIN FEATURES

FLOOR

Antibacterial PVC / Solid Wooden

CEILING

Led Lighting

BUTTONS

Floor Buttons with Brail Alphabet, Alarm, Fan, Intercom, Stop

DISPLAY SCREEN

7 Segment Display 38 mm

ENOUNCING

English / Arabic / Turkish

Elux Tubo, which is an excellent home elevator, offers you bright and spacious spaces with panoramic colored or transparent, unbreakable acrylic glass coatings. It adds a stylish and modern look to your home with the colors suitable for the decor of your buildings or with its decorative chrome coatings.



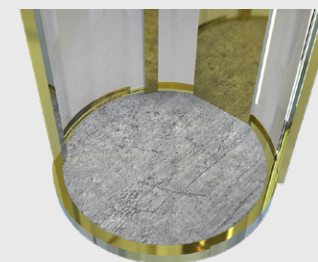
15
cm/sn
Speed

500
KG
Capacity

58
dB
Sound Level



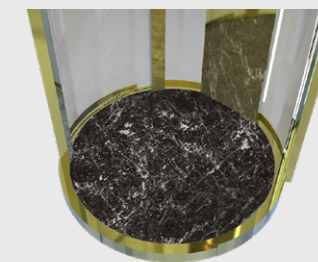
PVC-1



PVC-2



PVC-3



PVC-4

ELUX TUBO

CHROME OPTIONS

MATERIALS

AISI 304

THICKNESS

0.8 MM

AREA OF USAGE

Indoor / Outdoor

COVERING TYPE

Polyester Powder Painting RAL Colored

ALTERNATIVES (OPTIONAL)

Different Decorative Chrome Covering Options Are Available.

Easy-to-clean surface, anti-bacterial structure and maximum resistance against oxidation tell you why we prefer decorative chrome sheet. With the stylish and modern look of chrome Elux Tubo, you can upgrade your homes style.



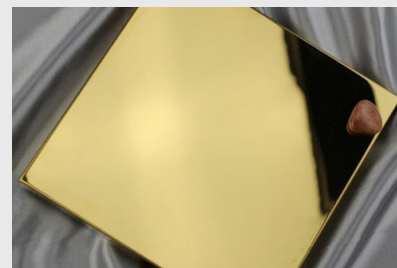
15
cm/sn
Speed

500
KG
Capacity

58
dB
Sound Level



Brushed Gold



Golden Mirror



Satine Brushed Chrome



Mirror Chrome

ELUX TUBO

PAINT OPTIONS

MATERIALS

Polyester Based Oven Paint

AREA OF USAGE

Indoor / Outdoor

COLOUR OPTIONS

Standard 5 Colors / Optional Custom Colors

GALVANIZED COATING (OPTIONAL)

Special coating for structures closer to sea and for marine vehicles

ALTERNATIVES

Different Color Choices Available for Cabin, Buttons and Tower

There are many color options available to match your home's floor and wall coverings. Polyester-based exterior paints that are resistant to UV rays and yellowing prevent cracking and the formation of corrosion related to stretching on metal surfaces.



15
cm/sn
Speed

500
KG
Capacity

58
dB
Sound Level

RAL 9016

RAL 7035

RAL 7040

RAL 7016

RAL 9005

ELUX TUBO

GLASS OPTIONS

LIGHT TRANSMITTANCE

%92

UV PROTECTING

Double Sided

FIRE RESISTANCE

B1 / 1Y CLASS / UL 94 HB

SOUND INSULATION

31 dB / EN 14388 / B3

TICKNESS

4 MM

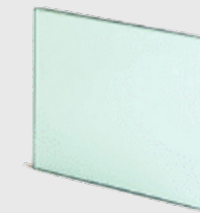
Acrylic glass is 200 times stronger than normal glass. It is an excellent material for outdoors, with its non-flammability, high UV resistance and resistance to harsh weather conditions. With 92% light transmittance, acrylic glasses provides optimum light diffusion.



CLEAR



BLUE



GREEN



SMOKY

ELUX TUBO

SAFETY

IN-CABIN SAFETY

Permanent Stop Button/Oval Photocell

DOOR SAFETY

IP 67 Pizzato Security Lock

UNDER CABIN SAFETY

Stop Switch

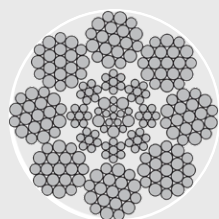
OVER LOAD

Mechanic Switch

ROPE

2 x Ø 6.5 MM 8 Steel Core Wire Rope

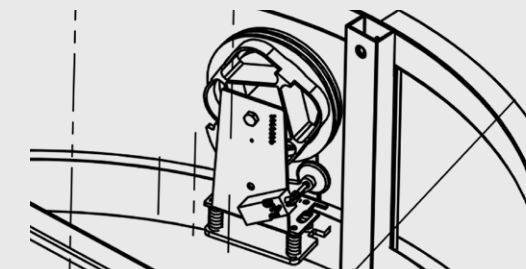
For your safety, while providing a safer travel with the oval beam curtain inside the cabin, a set of mechanical braking mechanisms have been developed against rope breakages. Regulator braking system does not allow it to go faster than specified speed.



MECHANIC BREAK



PHOTOCELL



OVERSPEED GOVERNOR

ELUX TUBO

TECNICAL FEATURES

DRIVER

2.2 Kw Omron (Japan)

ENGINE

Siemens (Almanya) / Elektromagntic Disc Break

RESCUE SYSTEM

Auto by UPS / Manuel by hand

DOOR TYPE

Dairesel Tam Otomatik / Manuel

ENERGY

1 Phase 110~230 Vac / 3 Phase 230/400 Vac 50-60 Hz

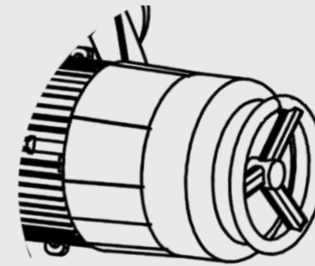
ELUX TUBO which has vibration absorbing components, do not need a machine room, pit and elevator shaft, do not create noise and vibration with its imported german motor, magnetic brake, and a unique driving system that provides soft start and stop.



12
Current
Consumption

1400
Rpm
Engine Rpm

2.2
Kw
Engine Power



ELUX TUBO

BENELIFTS S.R.L

Contact Us

Via Augusto Anfossi
3 20135 Milano. IVA No:11028080965 | Italy
info@benelifts.com
www.benelifts.com



CHOOSE TRUSTED ELEVATORS FOR YOUR LOVED ONES